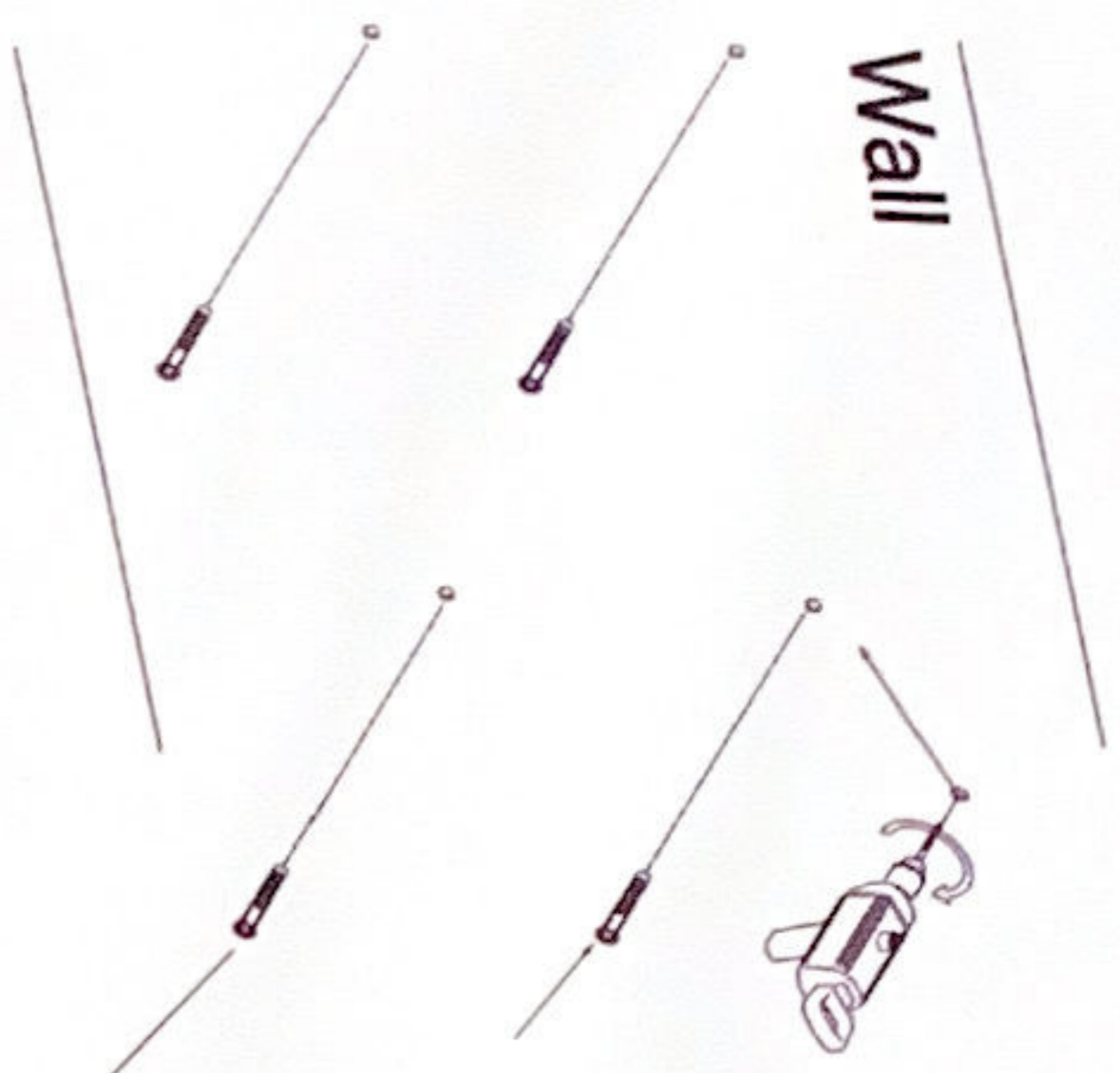


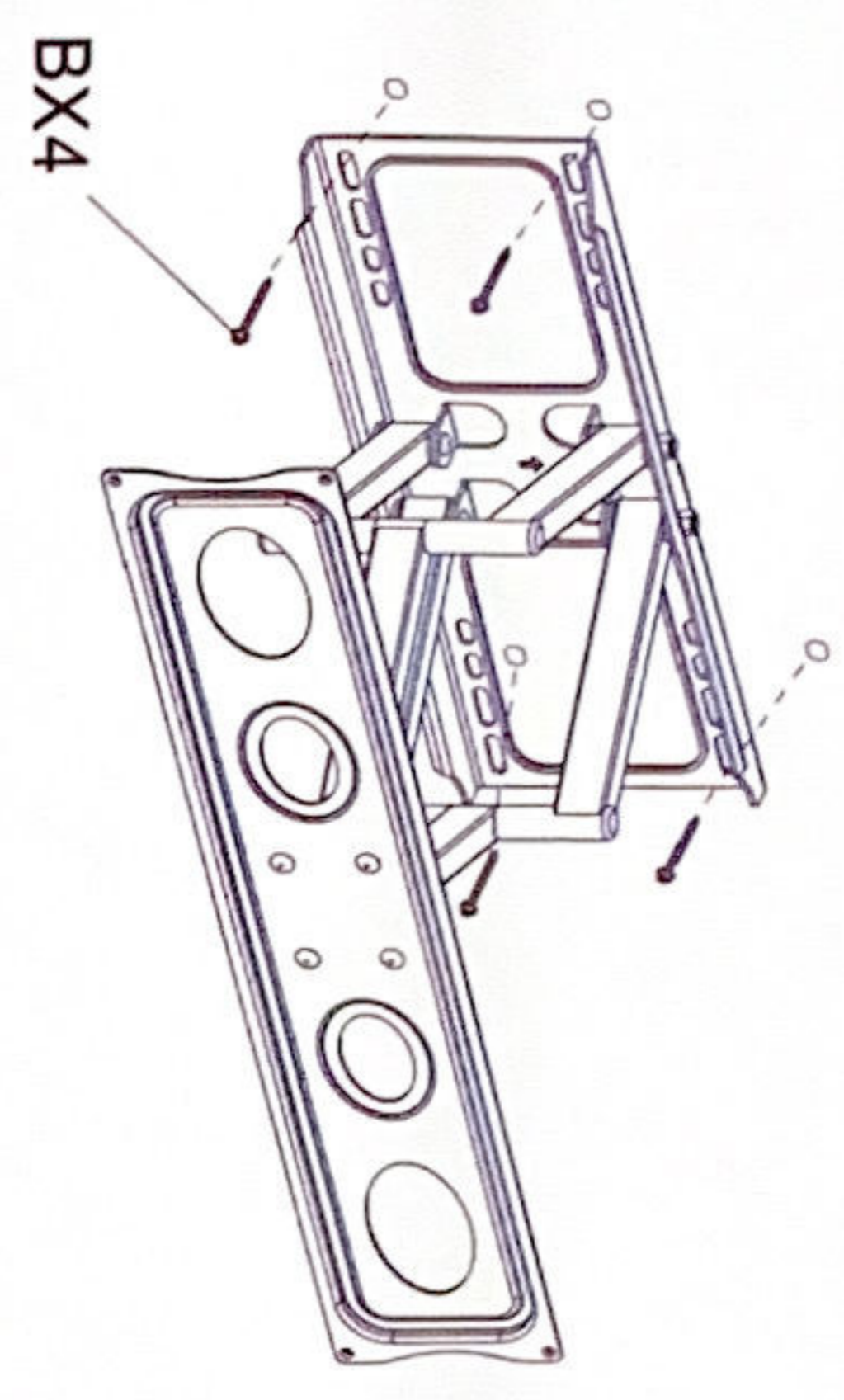
1

Wall

Mark the exact location of mounting hole, drill the hole (suggested 50mm in depth) and put the anchor (A) into the hole.

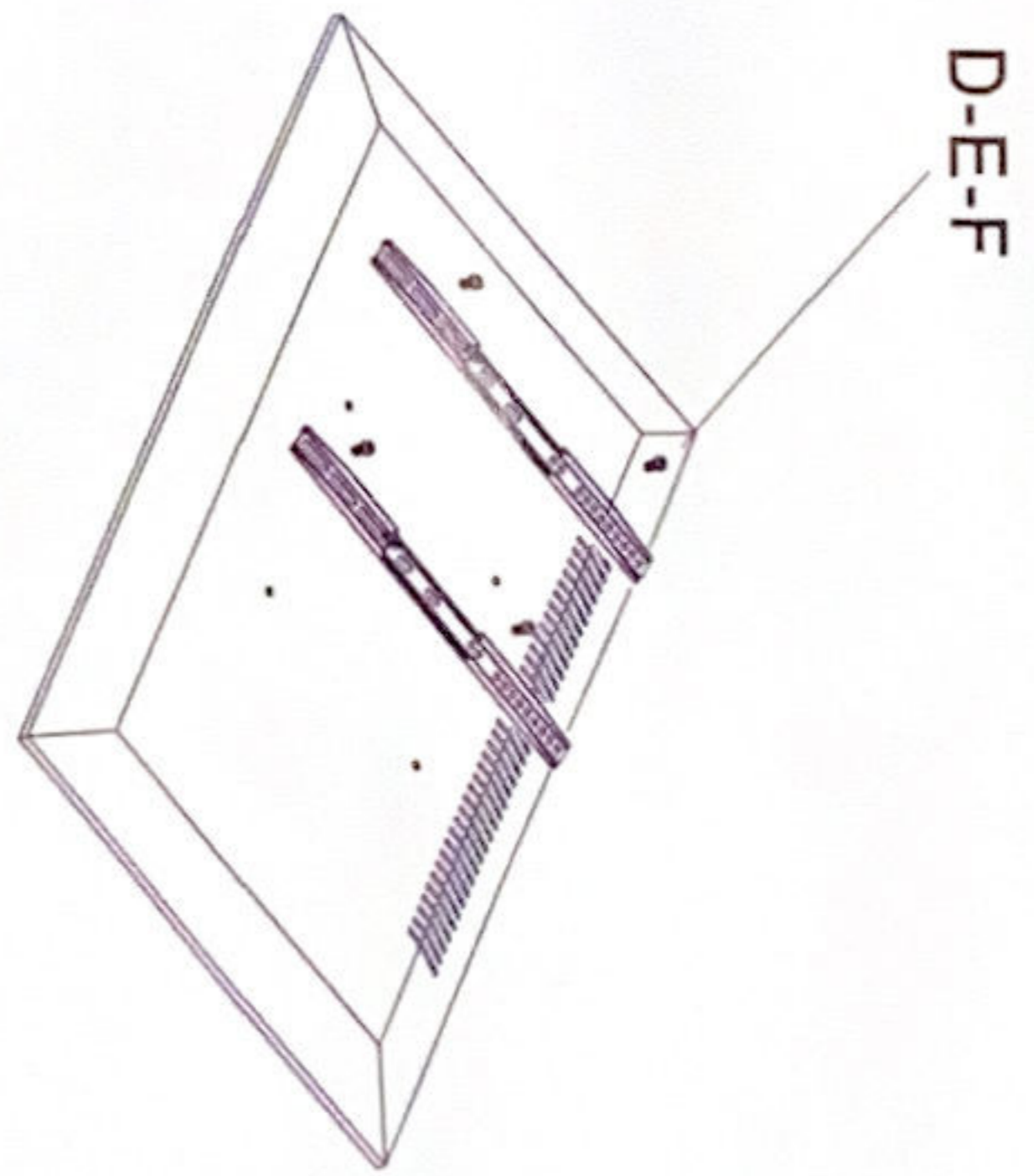


Put the mounting plate against the wall, and tighten the wall mount into the hole by using rack bolt (B)



2

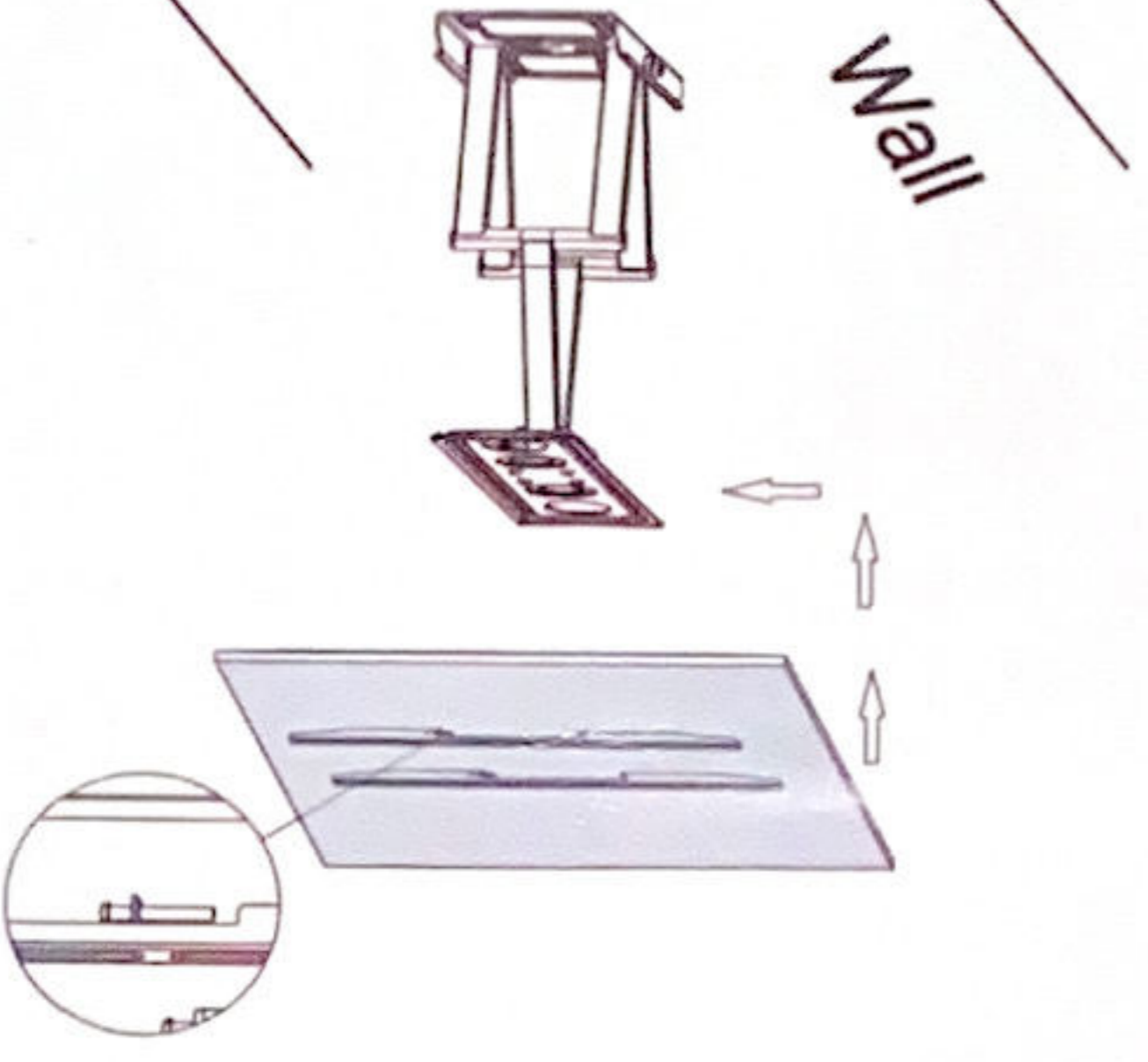
Put the arm against the TV, tighten the arm onto the TV by using bolt D/E/F



3

Wall

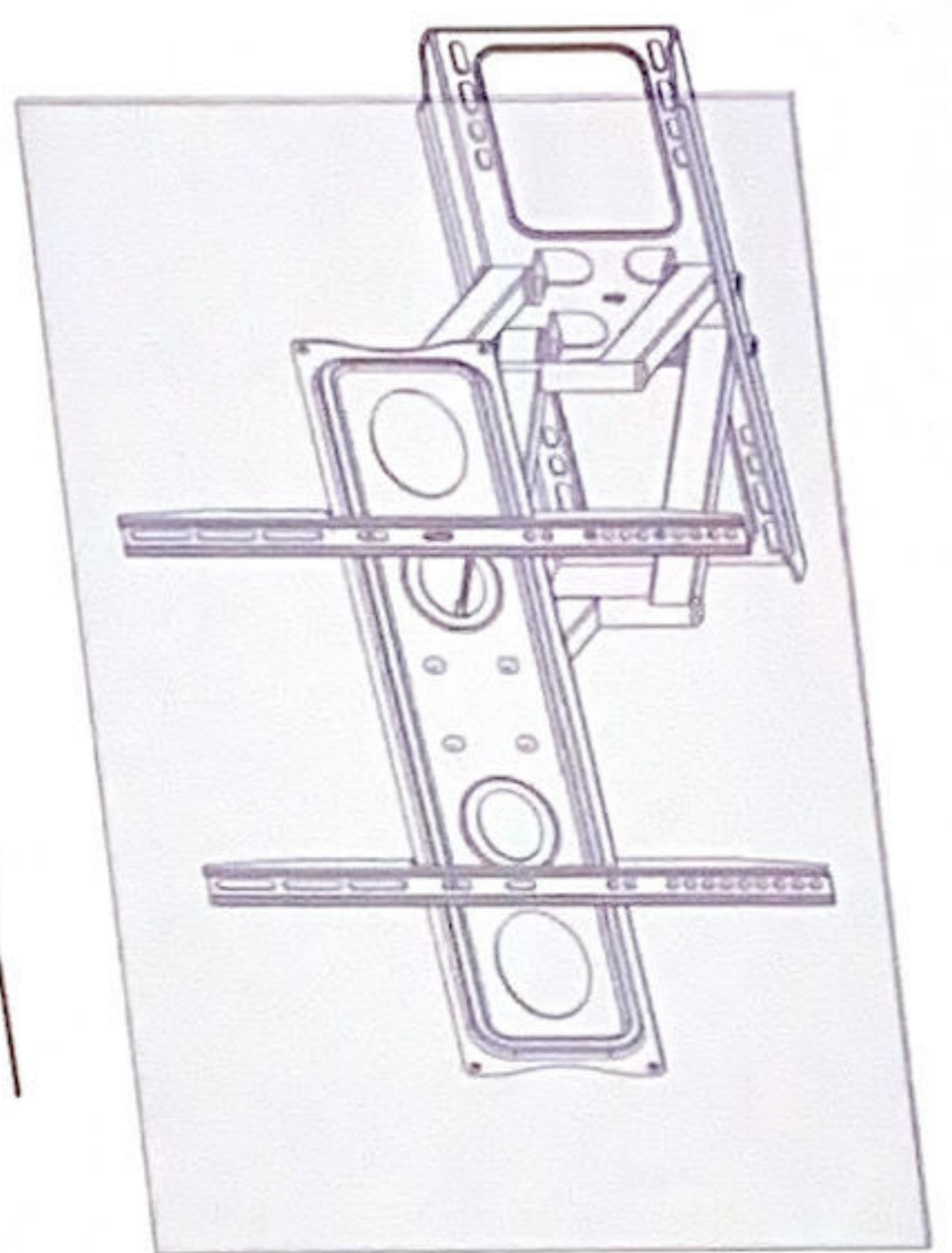
Put the TV with arm onto the wall plate, and screw the bottom safety bolt to the right position.



4




Wall

Micro-adjust the TV to the right position.



Parts

-  Φ 10X50 AX4
-  M8X50 BX4
-  10mm CX4
-  M8X25 DX4
-  M6X22 EX4
-  M5X22 FX4

-  D8 GX4
-  D6 HX4
-  I